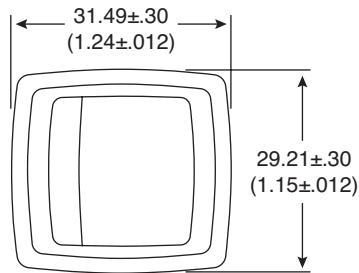
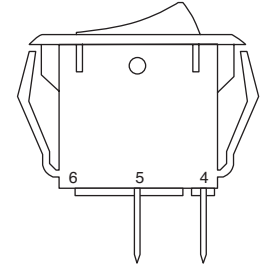
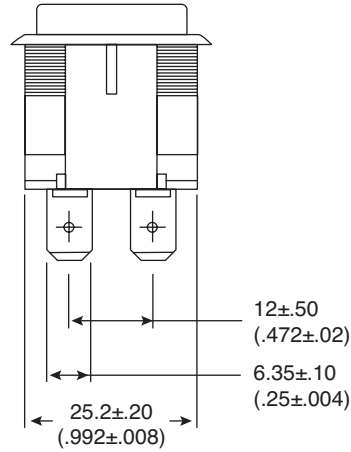
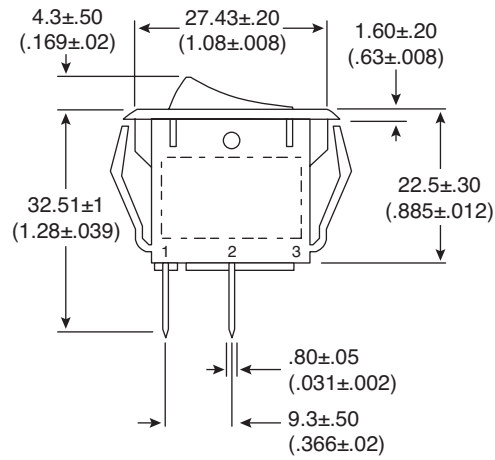


Dimensions: mm (In.)



Mount Hole			Circuit Structure
<p>Dimensions: mm</p>			
Thickness	X	Y	
0.75mm-3mm	27.6-.01	25.4+0.1	
3mm-5mm	28.0-.01	25.4+0.1	
5mm-6.3mm	28.6-.01	25.4+0.1	

**Mechanical Specifications:**

- Circuit: 4P DPST On-Off

**Electrical Specifications:**

- Rating: 16A / 125V, 10 / 250VAC
- Contact Resistance: 50mΩ max.
- Insulation Resistance: 500VDC 100M ohm min.
- Dielectric Strength: 1500VAC 1 minute

**Note:**

- RoHS Compliant

Rocker Switch  
103-R13-240A-01-EV

